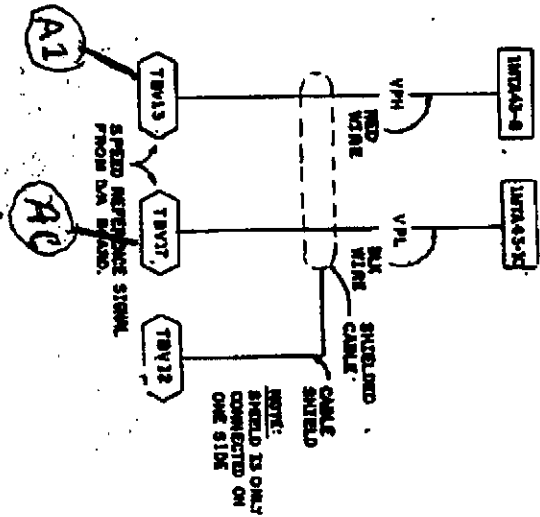
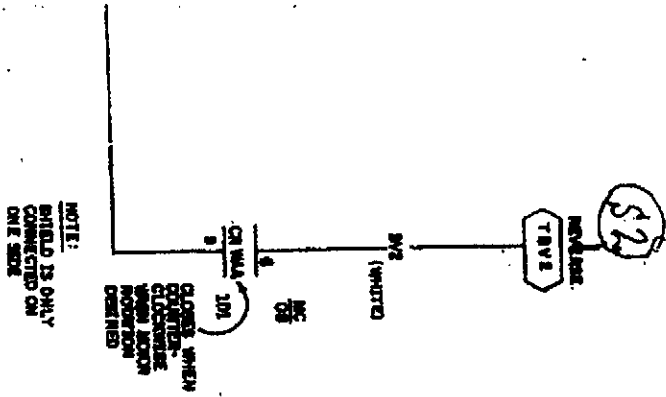


Terminals listed in (X) for  
V1000 Inverter

W6F8PSVPA  
93448D



# W6F8PSVPA

## SCHEMATIC: VARIABLE SPEED CONTROLLER

PELLERIN MILNOR CORPORATION

36021 F8P

- NOTE:
1. TRV 13, LOCATED IN VARIABLE SPEED CONTROLLER BOX ON VARIABLE SPEED CONTROLLER.
  2. TRV13 IS LOCATED ON SP41 (RECTIFY TO ANALOG BOARD).

W6F8PSVPA  
93448D